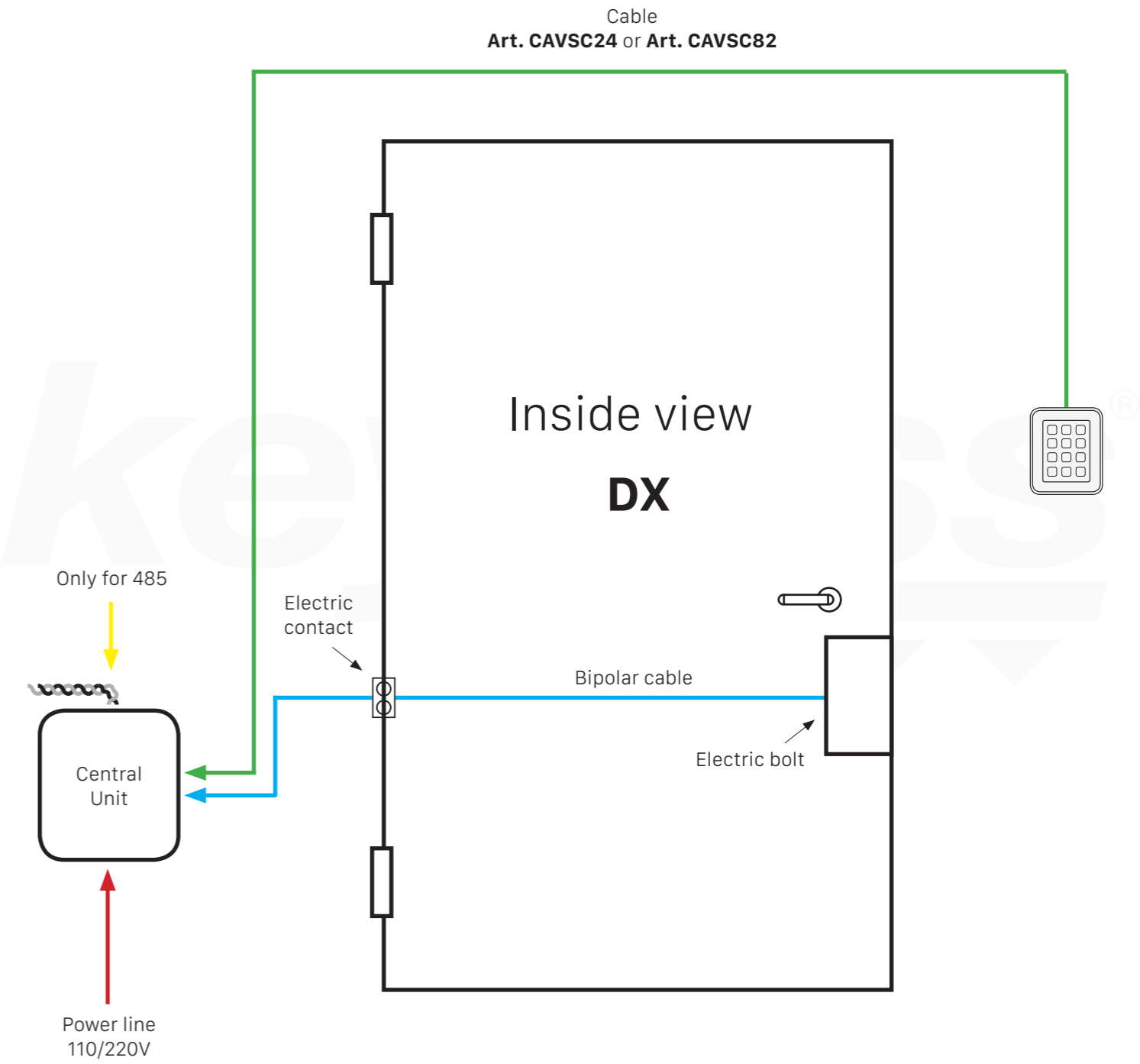
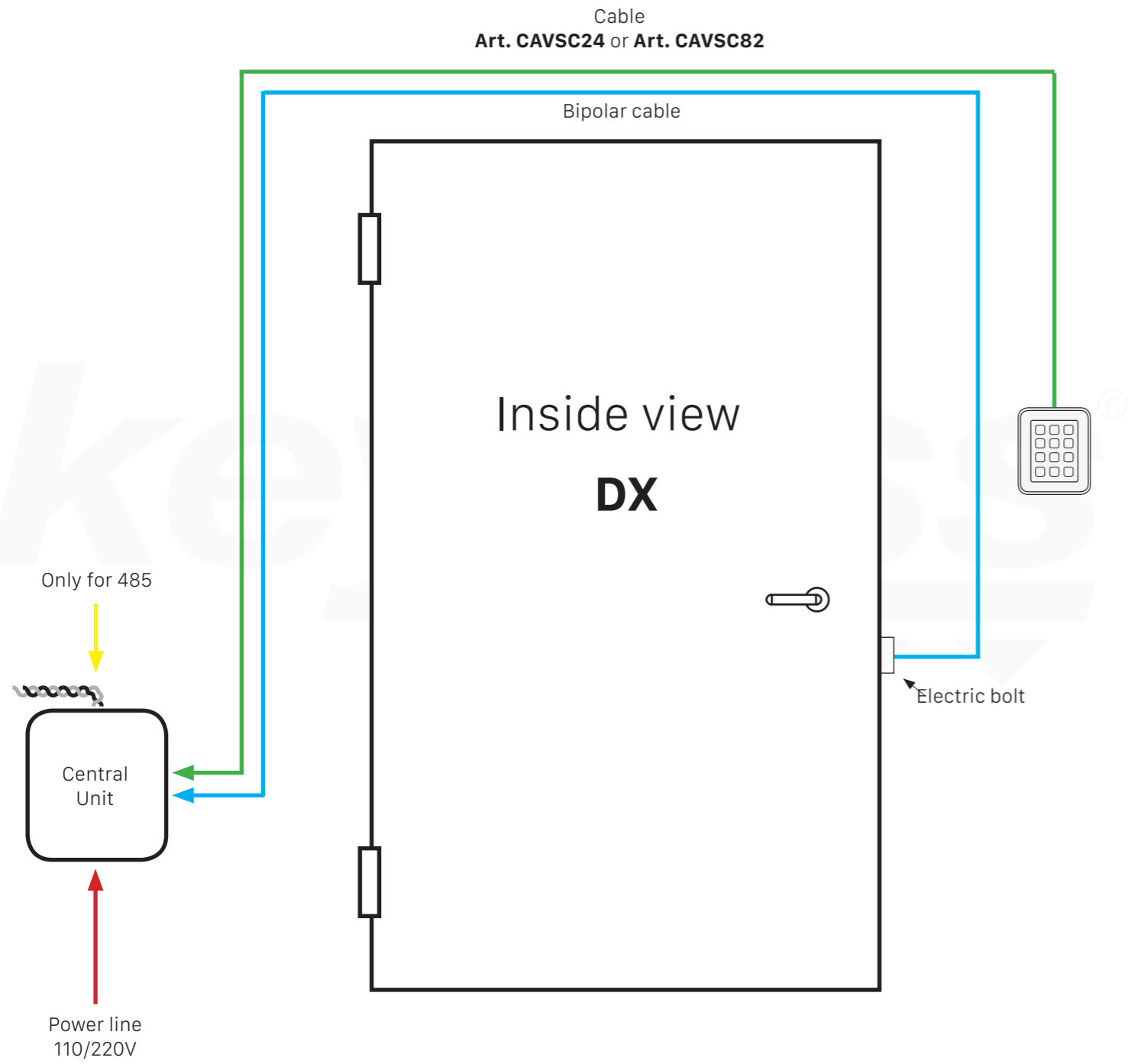


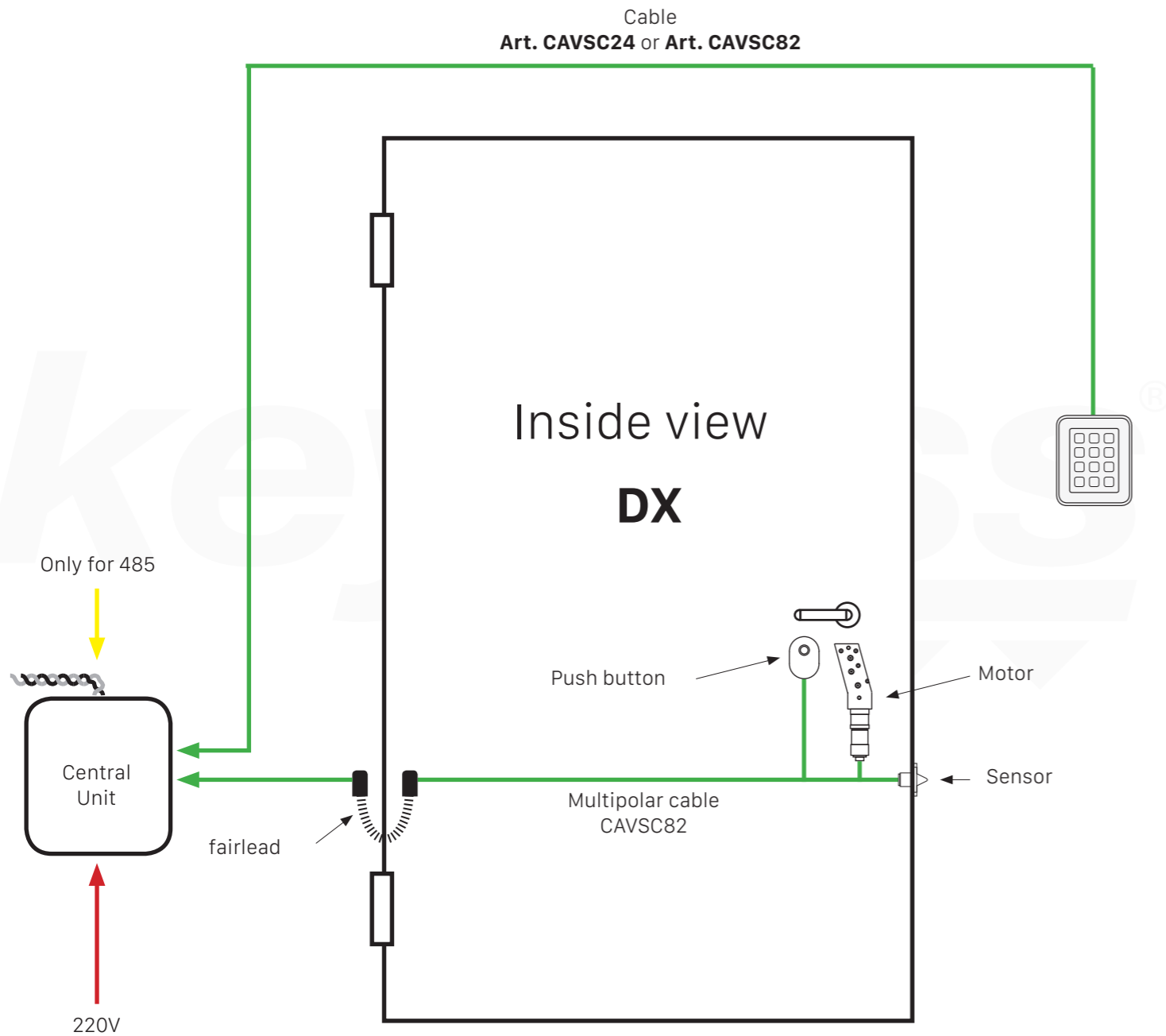
**keyless**<sup>®</sup>



**keyless**<sup>®</sup>

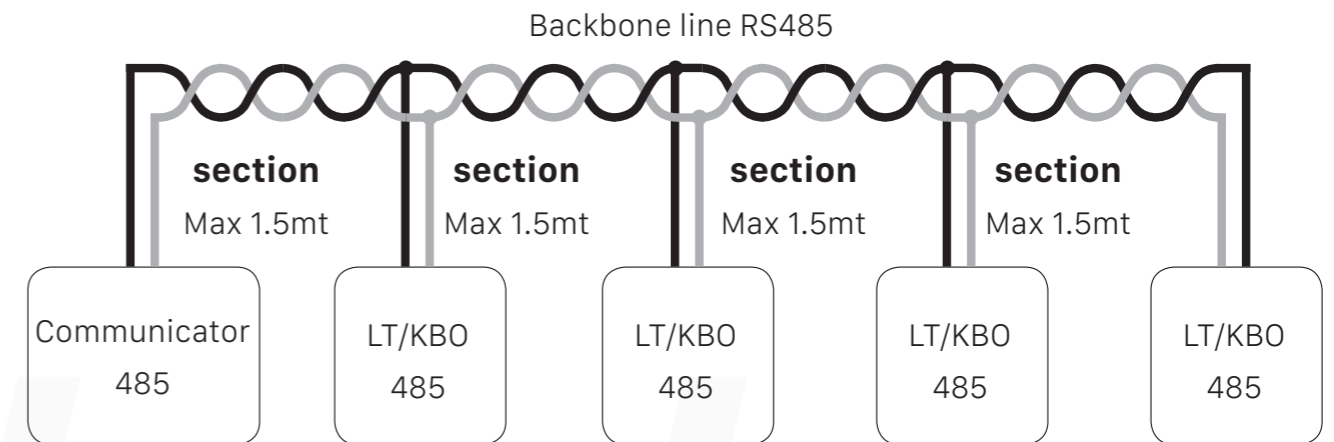
CABLE PREPARATION





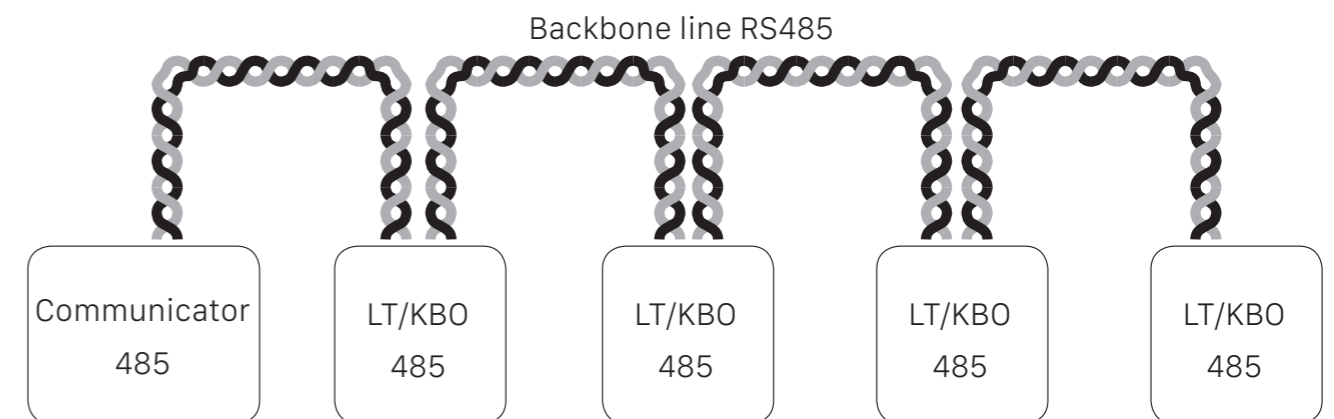
**Network backbone and sections**

A section has to be the most short as possible (MAX 1.5mt) from the back line to the control unit



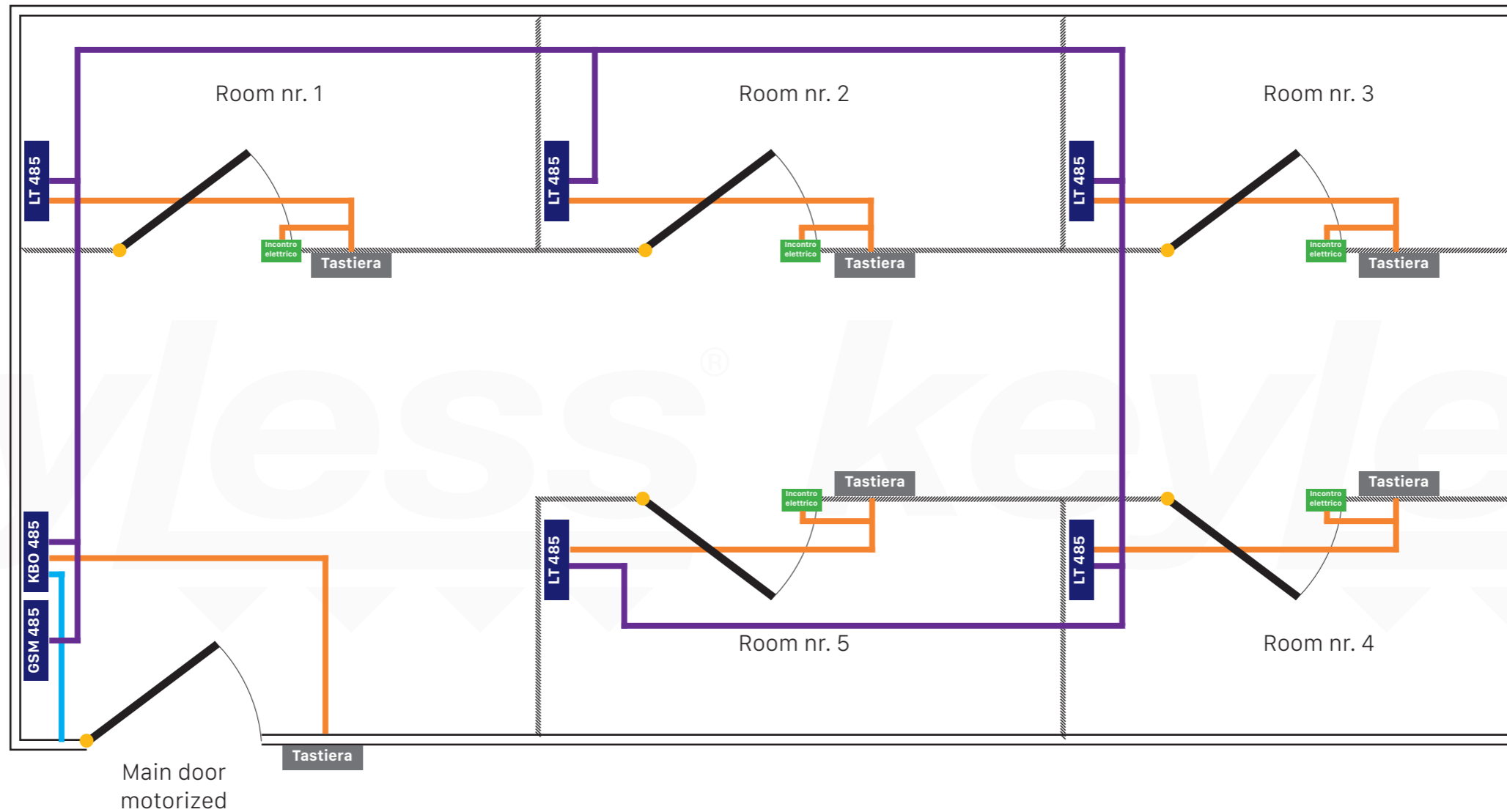
**Network in & out**

A network in and out it's surely the best solution for the transmission of data without interference. If possible, take THIS solution.



- PIPE 16/20mm for keypad and electric bolt
- PIPE 16/20mm for motorized lock
- PIPE 16/20mm for BUS RS485

The example shows an apartment with main entrance POWERED  
5 entrances to the inner rooms with electric strike



**ALL units (GSM 485, KBO485, LT485)  
They must be powered from 230VAC mains**

**assess the appropriate pipeline**